

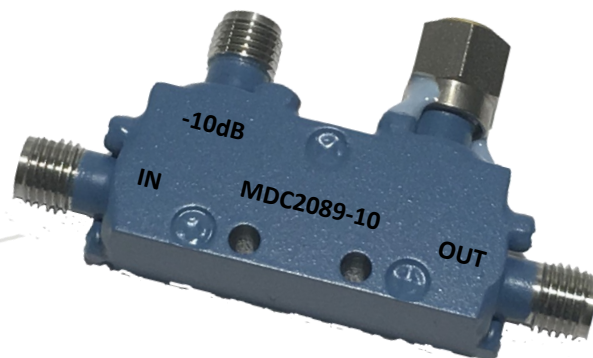
Wideband Directional Coupler

Data Sheet



6.0 - 18.0 GHz

MINI-LINE™



MDC2089 Series



MDC2089 Series couplers feature reliable Stripline construction using multi-section designs which provides power sampling up to 35 watts CW in miniature coaxial packages that have proven performance and reliability under extreme environmental conditions. Couplers exhibit excellent performance and may be used in a wide variety of applications including military, commercial, broadcast, medical, aerospace and wireless. All couplers are manufactured in the USA.

NOTES:

Material: Aluminum Alloy, 6061-T651

FINISH: Blue Powder Coat as per MIL-PRF-24712A

MARKING: Permanent Black Epoxy Ink per MIL-I-43553A

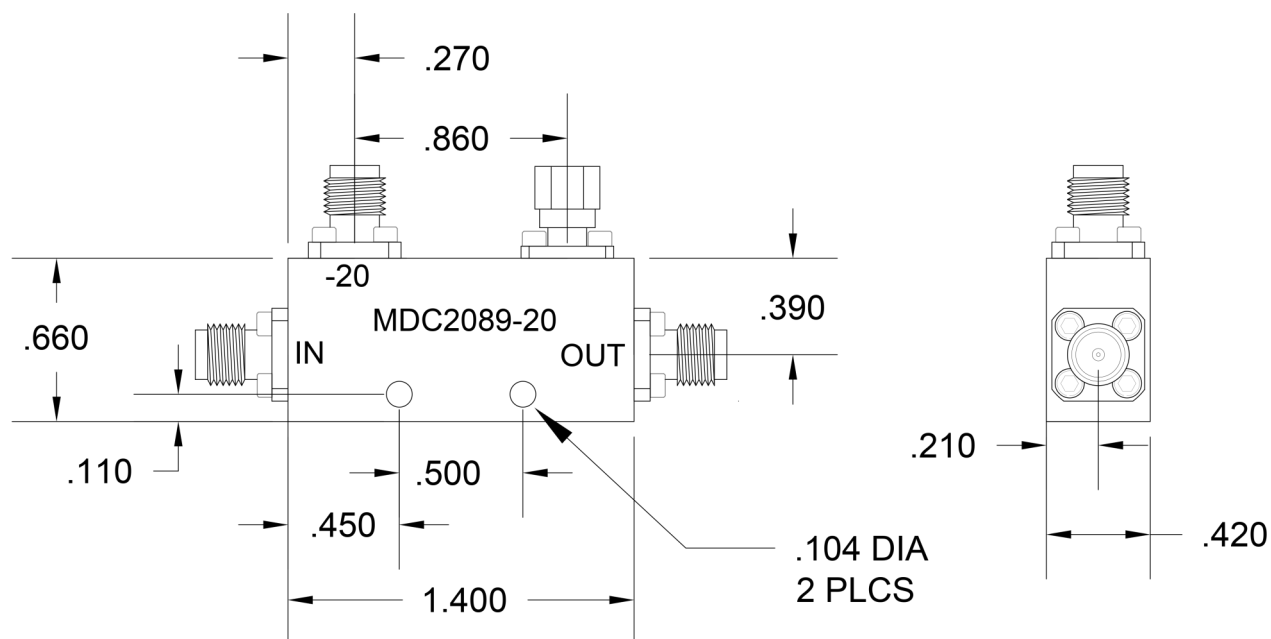
OPERATING TEMPERATURE: -55°C to +85°C

CONNECTORS: SMA Female, SS, Passivated per MIL-C-39012

Model Number	*Coupling (dB)	Frequency Sensitivity (dB)	Ins. Loss (dB max.) Excluding Coupled Power		Directivity (dB min.)	VSWR (max.)		Power (Watts max.)		
			True	True		Primary Line	Coupled Port	Average Incident	Average Reflected	Peak
MDC2089-10	10 ± 1.25	± 0.60	0.60	1.10	15	1.35	1.40	35	35	1k
MDC2089-20	20 ± 1.25	± 0.65	0.60	1.20	15	1.35	1.40	35	35	1k

Specifications subject to change without notice

* Theoretical Coupling Loss Not Included



www.preferredpowerproducts.com

Tel: 1-772-291-2549 | sales@preferredpowerproducts.net

STUART, FL 34997