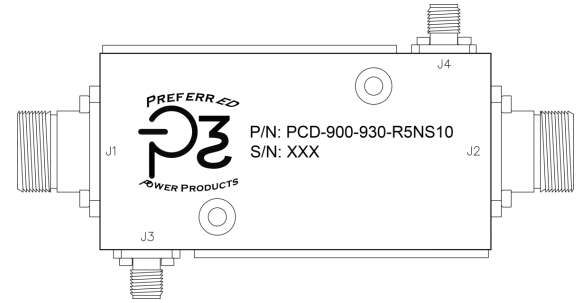


# 500 Watt 10 dB Dual Directional Coupler

Data Sheet



Model: PCD-900-930-R5NS10



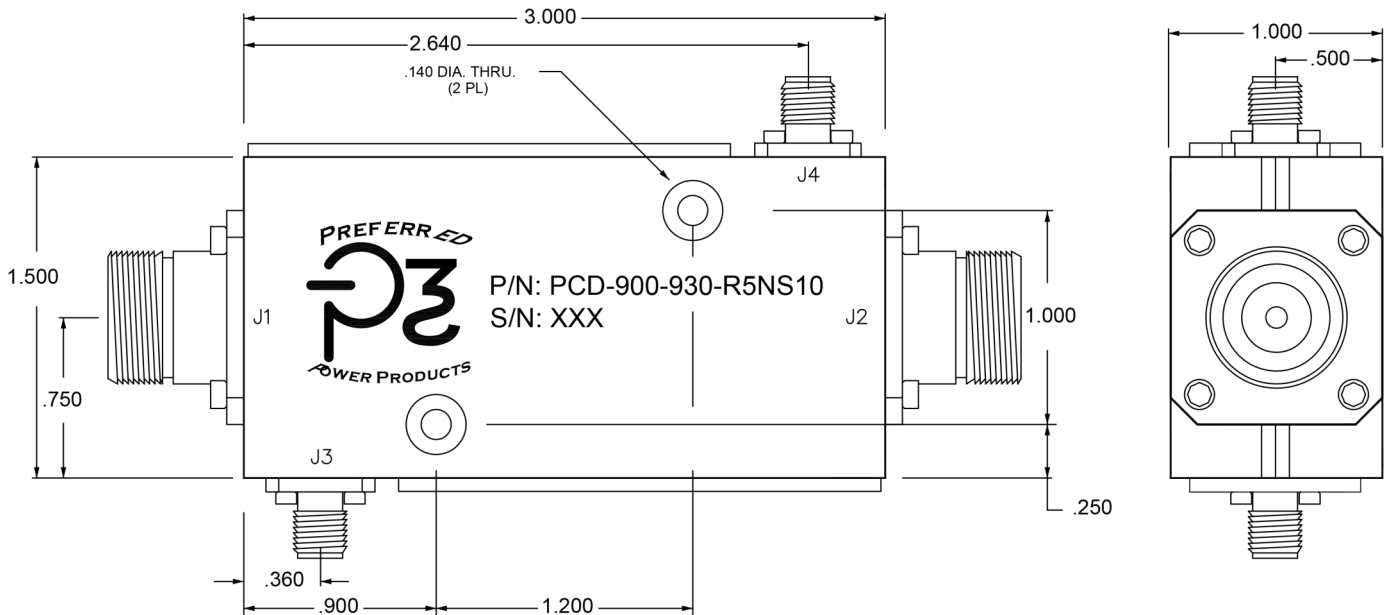
Frequency:	900 - 930 MHz
Coupling:	10 dB $\pm$ 0.20 dB Max.*
Power:	500 Watts CW
Freq. Flatness:	$\pm$ 0.30 dB Max.
Insertion Loss:	0.20 dB Max.
Directivity:	>24 dB
VSWR:	1.25:1 Max. All Ports
Connectors:	"N" FM, In/Out Ports "SMA" FM, Coupled Ports

**PCD Series** couplers feature reliable Stripline construction using multi-section designs which provides power sampling up to 2000 watts CW in small coaxial packages that have proven power performance and reliability under extreme environmental conditions. To enhance performance, matched high power terminations are internally mounted on most models too obtain high directivity, higher coupled port power and excellent VSWR.

**NOTES:**

Material: Aluminum Alloy, 6061-T651  
 Finish: Chem-Film, Gold Irridite MIL-C5541E  
 Operating Temperature: -55°C to +85°C  
 Uni-Directional version available  
 Other connectors configurations available

\* Theoretical Coupling Loss Not Included



Specifications subject to change without notice

[www.preferredpowerproducts.com](http://www.preferredpowerproducts.com)

Tel: 1-772-291-2549 | [sales@preferredpowerproducts.net](mailto:sales@preferredpowerproducts.net)

STUART, FL 34997