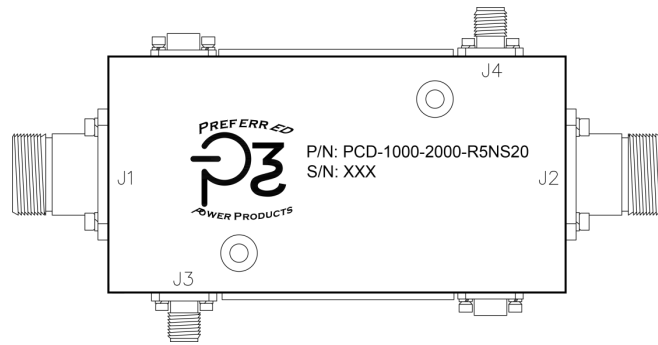


500 Watt 20 dB Dual Directional Coupler

Data Sheet



1000-2000 MHz
PWR-LINE™



Model: PCD-1000-2000-R5NS20



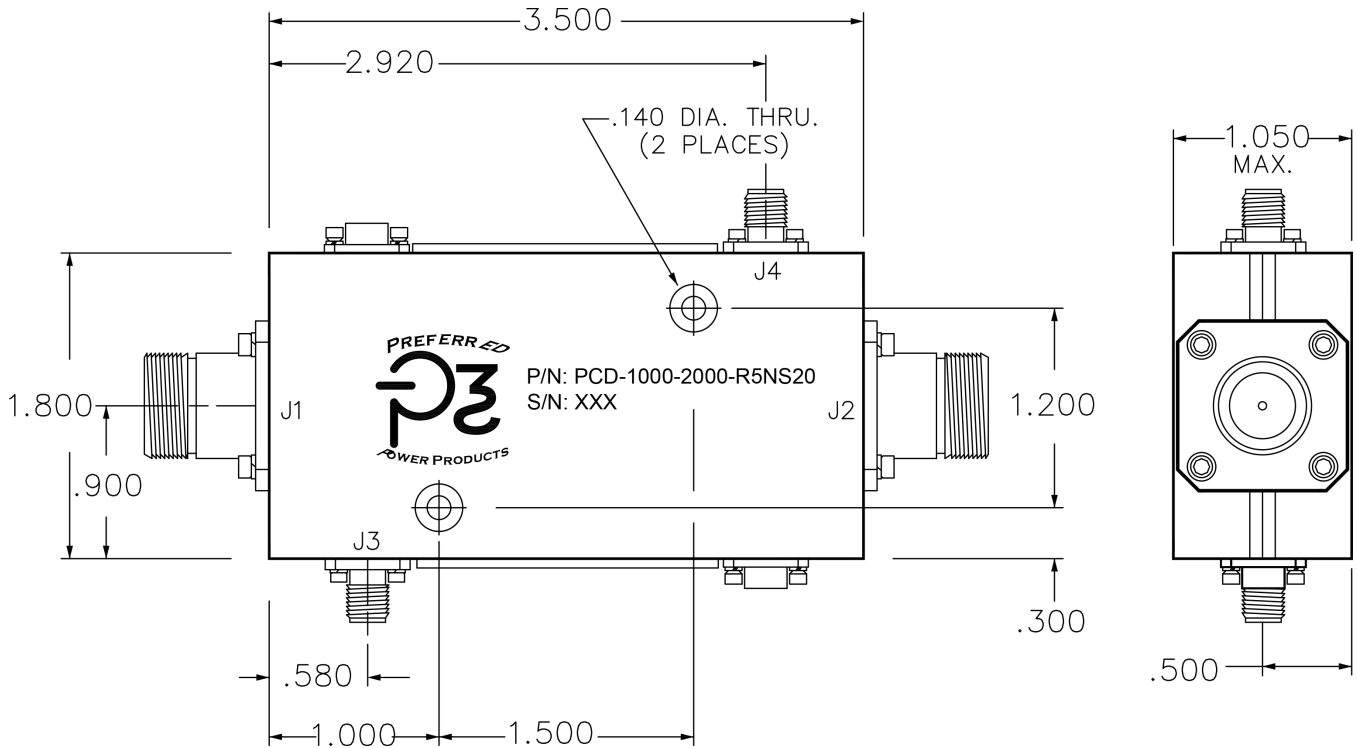
Frequency:	1000 - 2000 MHz
Coupling:	20 dB ±0.50 dB Max.
Power:	500 Watts CW
Freq. Flatness:	±0.30 dB Max.
Insertion Loss:	0.20 dB Max.*
Directivity:	>20 dB
VSWR:	1.20:1 Max. All Ports
Connectors:	"N" FM, In/Out Ports "SMA" FM Coupled Ports

PCD Series couplers feature reliable Stripline construction using multi-section designs which provides power sampling up to 2000 watts CW in small coaxial packages that have proven power performance and reliability under extreme environmental conditions. To enhance performance, matched high power terminations are internally mounted on most models too obtain high directivity, higher coupled port power and excellent VSWR.

NOTES:

Material: Aluminum Alloy, 6061-T651
 Finish: Chem-Film, Gold Irridite MIL-C5541E
 Operating Temperature: -55°C to +85°C
 Uni-Directional version available
 Other connectors configurations available

* Theoretical Coupling Loss Not Included



Specifications subject to change without notice

www.preferredpowerproducts.com

Tel: 1-772-291-2549 | sales@preferredpowerproducts.net

STUART, FL 34997