

REV	RELEASE	DESCRIPTION	APPROVED	DATE
A	NEW	INITIAL RELEASE	JK	7/26/2021

SPECIFICATIONS:

ELECTRICAL:

IMPEDANCE: 50Ω
 FREQUENCY RANGE: DC - 6 GHz
 VSWR: SEE CHART
 POWER HANDLING: AVG: 2 WATTS DERATED LINEARLY FROM 25°C TO 10% @ 125°C
 PEAK: 500 WATTS @ 5 μs PULSE WIDTH AND 0.1% DUTY CYCLE

ENVIRONMENTAL:

TEMP RANGE: OPERATING: -65°C TO +125°C
 NON-OPERATING: -65°C TO +150°C

MARKING:

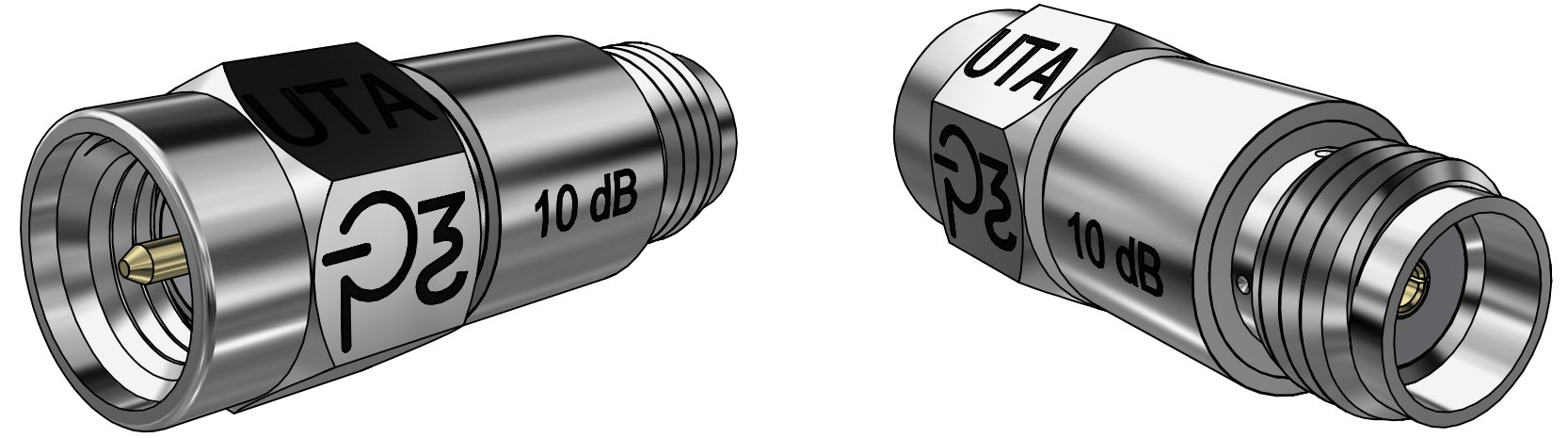
UNIT MARKING: P3 LOGO AND PART NUMBER PER TABLE
 MARKING: LASER ENGRAVED PER MIL-STD-130

QUALITY ASSURANCE:

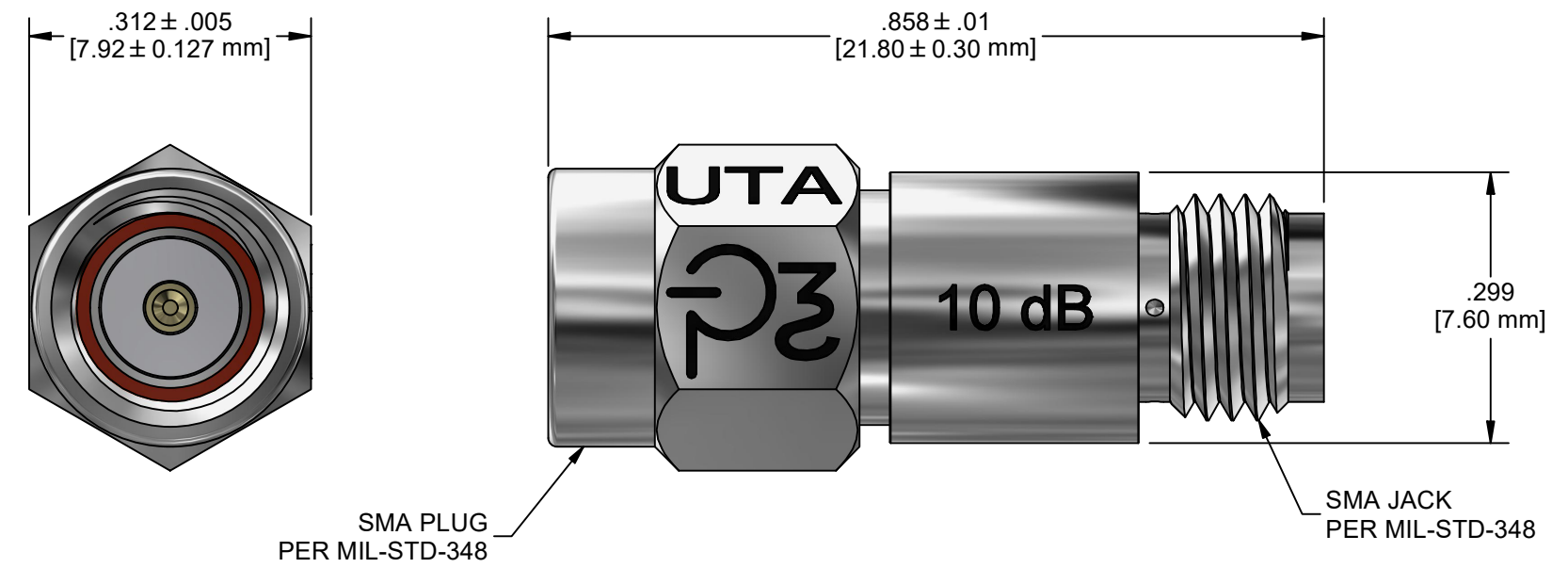
INSPECTION: 100% ATTENUATION AND VSWR

MECHANICAL:

BODY: NICKEL PLATED STAINLESS STEEL
 CONTACT: GOLD PLATED BERYLLIUM COPPER
 DIELECTRIC: TEFLON
 GASKET: SILICONE RUBBER
 TORQUE: 8 in-lbs MAX



SELECTION CHART		
ITEM NO	ATTENUATION	VSWR
UTA-0	0 dB ± 0.20	1.03 Typ 1.08 Max
UTA-1	1 dB ± 0.30	1.03 Typ 1.20 Max
UTA-2	2 dB ± 0.30	1.02 Typ 1.03 Max
UTA-3	3 dB ± 0.30	1.03 Typ 1.10 Max
UTA-4	4 dB ± 0.30	1.02 Typ 1.03 Max
UTA-5	5 dB ± 0.30	1.02 Typ 1.05 Max
UTA-6	6 dB ± 0.30	1.02 Typ 1.03 Max
UTA-7	7 dB ± 0.30	1.02 Typ 1.03 Max
UTA-8	8 dB ± 0.30	1.02 Typ 1.03 Max
UTA-9	9 dB ± 0.30	1.02 Typ 1.03 Max
UTA-10	10 dB ± 0.30	1.06 Typ 1.18 Max
UTA-15	15 dB ± 0.40	1.10 Typ 1.15 Max
UTA-20	20 dB ± 0.50	1.10 Typ 1.15 Max
UTA-30	30 dB ± 1.00	1.10 Typ 1.15 Max



<p>PREFERRED POWER PRODUCTS STUART, FLORIDA 34997</p>	UNLESS OTHERWISE SPECIFIED ALL DIMENSIONS ARE IN INCHES TOLERANCES: DECIMALS ANGULAR .X ± .1 ± .5° .XX ± .01 .XXX ± .005	PART NO <p style="text-align: center;">UTA-XX</p> <p style="text-align: center;">COAXIAL ATTENUATOR DC - 6.0 GHz 2 WATT</p>
	THIS DRAWING AND ALL CONTENTS HEREIN, ARE THE SOLE, PROPRIETARY PROPERTY OF PREFERRED POWER PRODUCTS, LLC AND MAY NOT BE USED, REPRODUCED OR DISCLOSED WITHOUT EXPRESSED WRITTEN CONSENT.	CHECKED PD 7/26/2021 APPROVED PD 7/26/2021 DRAWN JK 6/8/2021 ENGINEER PD 7/26/2021 CAGE CODE 7W5T7 SCALE 5:1 SHEET 1 OF 1