

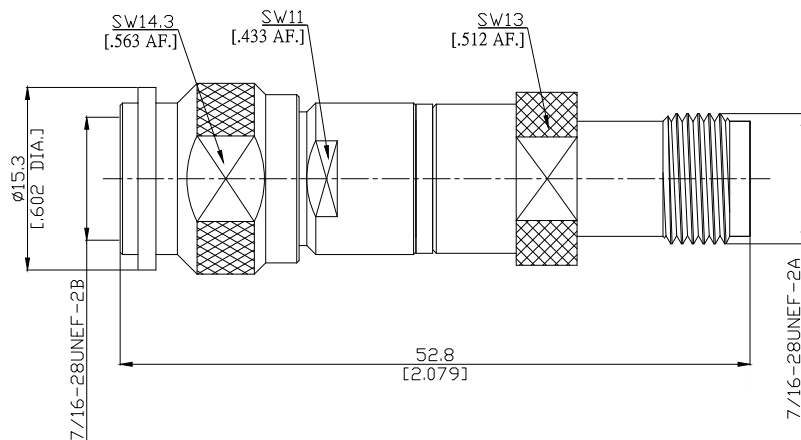


DC - 12.0 GHz.

Model: TAT-XX



P3's Coaxial Attenuators are convection cooled and can handle full rated 2 watts CW and a peak power rating of 250 Watts (5µsec pulse @ 0.5% duty cycle at 25 degrees C, and have an operating temperature range of -55 to +125 degrees C. These attenuators are commonly used for absorbing power of a transmission line, expanding power range and controlling power levels. They may also be used for accurately measuring power or spectrum of RF & Microwave transmitters accompanied with a power meter VNA or spectrum analyzer. These fixed attenuators cover DC to 12.0 GHz. with attenuation values from 1dB thru 40db with low VSWR and excellent attenuation flatness across the full bandwidth.



ENVIRONMENTAL SPECIFICATION

- Thermal Shock: MIL-STD-202, Method 107, Condition B
- Moisture Resistance: MIL-STD-202, Method 106
- Salt Fog Test: MIL-STD-202, Method 101, Condition B
- Vibration: MIL-STD-202, Method 204, Condition D
- Shock: MIL-STD-202, Method 213, Condition I
- Connectors: MIL-STD-348B

Attenuation Accuracy (Max)		
DC - 4 GHz	4 - 8 GHz	8 - 12 GHz
±0.5 dB	±0.6 dB	±0.7 dB

P/N: Example:

TAT - XX
Series Attenuation Value

*Specifications are subject to change without notice

ELECTRICAL SPECIFICATION

- Frequency Range: DC - 12.0 GHz.
- dB Values: 1 thru 40 dB (Standard)
- Impedance: 50 Ω
- Average Power: 2 Watts 25° C, 0.02 W at +125° C
- Peak Power: 250 W (5µs pulse, .05% duty cycle)
- VSWR: Operating $\leq 1.4:1$ Max.
- Temp.: -55° C to +125° C

MECHANICAL SPECIFICATION

- Body: Brass, Copper-Tin Zinc Alloy
- Center Contact: Phosphor Bronze Gold Plated
- Gasket: Silicone Rubber
- Dielectric: PTFE
- Weight: Storage 38 grams
- Temp.: -55° C to +125° C

Contact Sales: sales@p3-rf.com