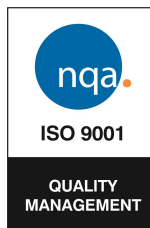


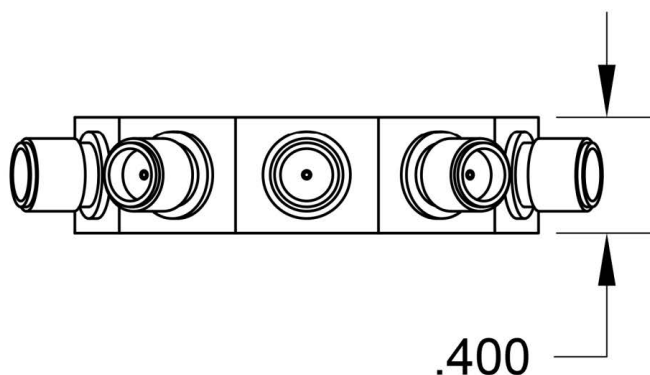
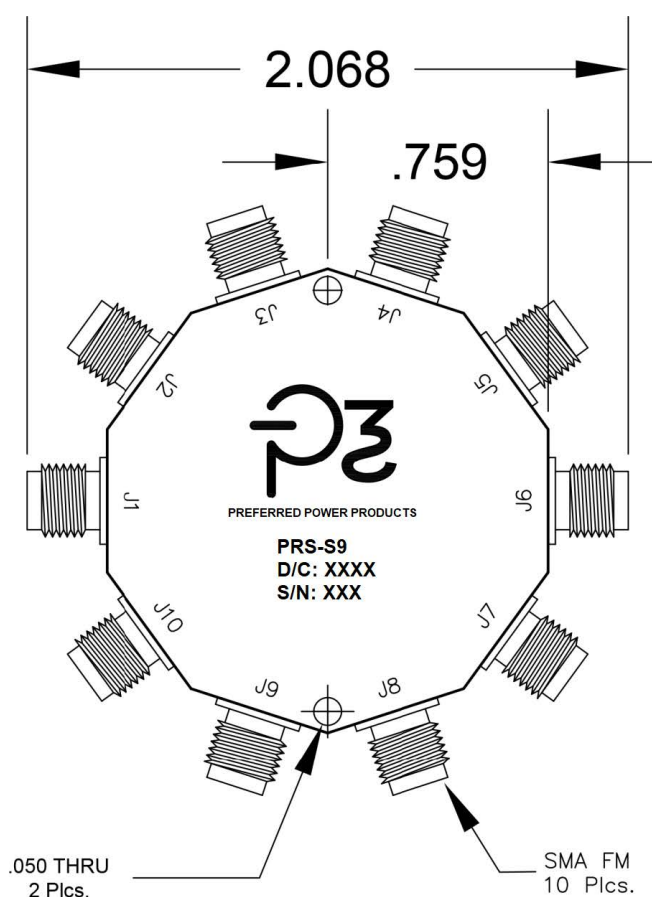


DC - 4.0 GHz.

Model: PRS-S9



PRS Series Resistive Power Dividers are precision resistive power splitters that provide excellent equal power division in a matched 50Ω system. With a 2 watt input power capability, PRS dividers are well suited for many laboratory and test applications. The compact designs allow operation in a variety of operational environments.

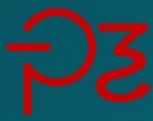


ELECTRICAL SPECIFICATION

Frequency Range:	DC - 4.0 GHz.
Impedance:	50 Ω
Insertion Loss:	19 dB +/-0.7 dB
Amplitude Tracking:	<0.10 dB
Average Power:	2 Watts CW
VSWR: Operating Temp.:	1.25:1 Typical, All Ports -55° C to +85° C

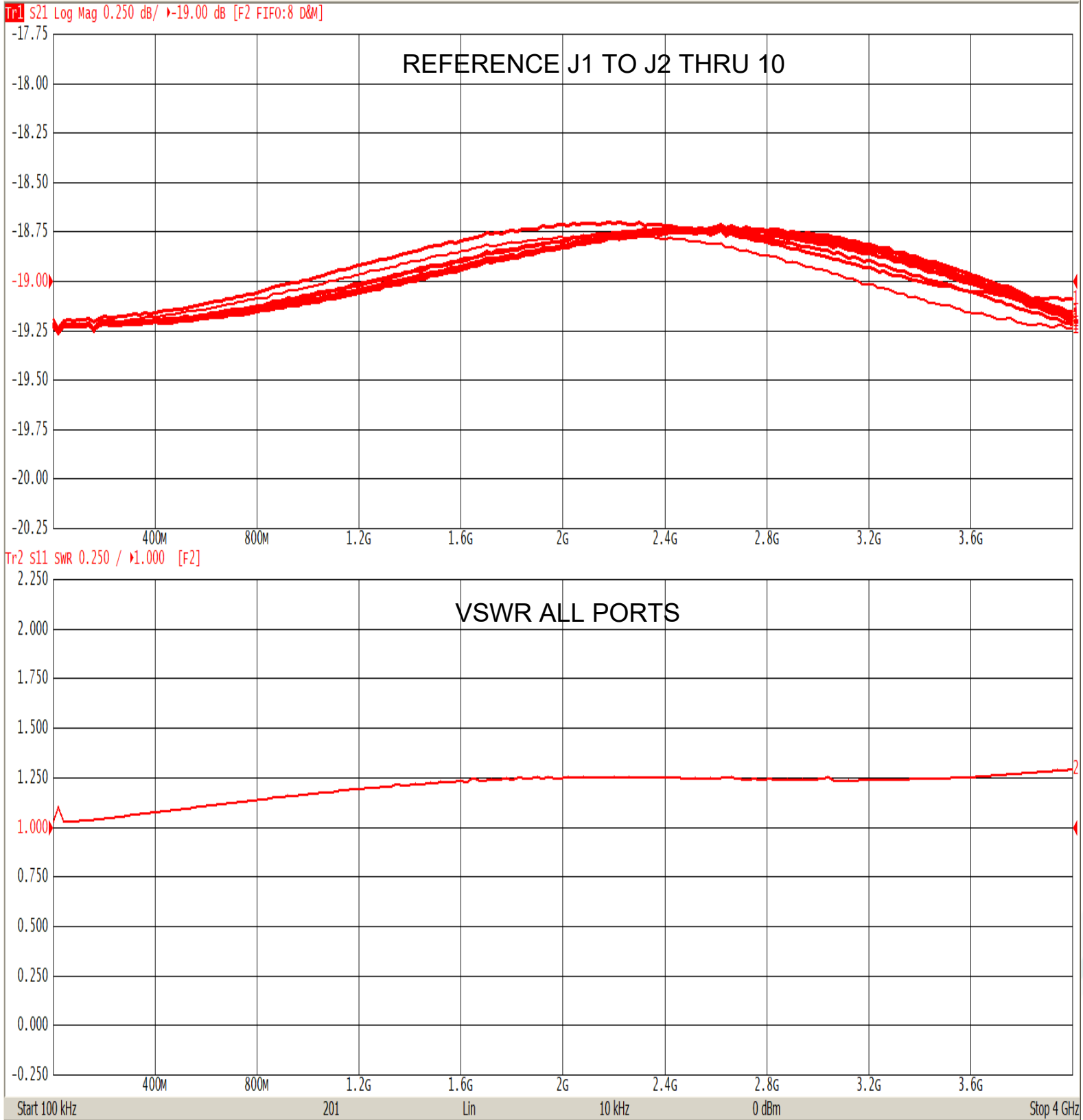
MECHANICAL SPECIFICATION

Material:	Aluminum Alloy, 6061-T651
Finish:	Chem-Film, Clear, MIL-DTL-5541, Class 3 (RoHS Compliant)
Marking:	LASER Engraved per MIL-STD-130
Storage Temp:	-55° C To +175°
Connectors:	SMA Female, Stainless Steel



Typical Performance Data

6/13/2022 10:13:58 AM



Specifications subject to change without notice