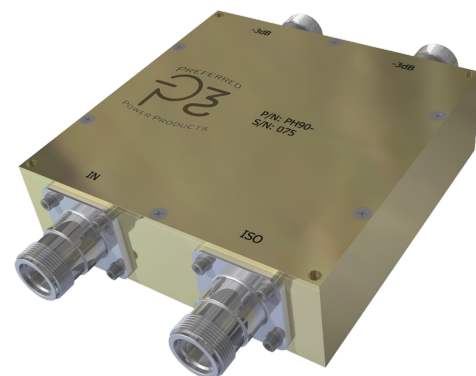


# 250 Watt 90° Coaxial Hybrid Coupler

Data Sheet



**800-2500 MHz**  
**HYBR-LINE™**



Model: PH90-800-2500-R25N



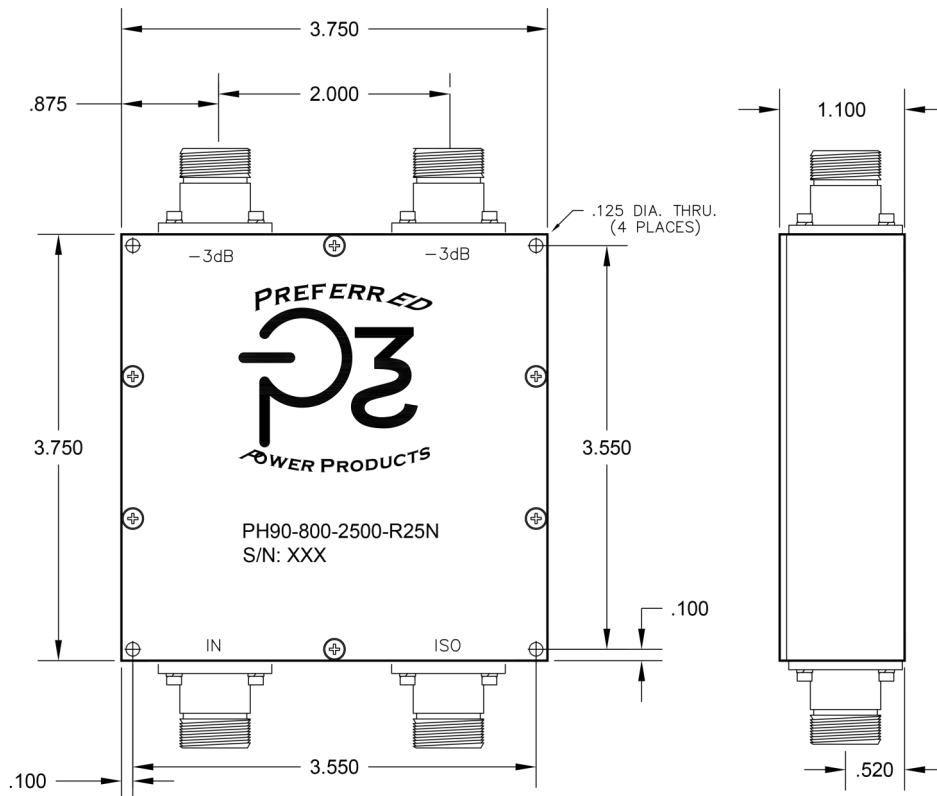
<b>Frequency:</b>	<b>800 - 2500 MHz</b>
<b>Amplitude Balance:</b>	<b>±0.60 dB Max.</b>
<b>Power:</b>	<b>250 Watts CW</b>
<b>Phase Balance:</b>	<b>± 4.0° Typical</b>
<b>Insertion Loss:</b>	<b>0.20 dB Max.</b>
<b>Isolation:</b>	<b>20 dB Typical</b>
<b>VSWR:</b>	<b>1.25:1 Max. All Ports</b>
<b>Connectors:</b>	<b>"N" Female All Ports</b>

Specifications subject to change without notice

**PH90 Series** Hybrid couplers provide High Power dividing or combining while exhibiting excellent phase and amplitude balance over continuous broadband operation. Solid compact designs are able to operate in a wide variety of environments, which include Medical, Industrial, Commercial wireless, Military, and Space. The **P<sub>3</sub>** library of designs allows for modifications of standard designs to be made quickly and inexpensively to meet specific requirements with short delivery times. Please consult the factory for any special requirements or frequency.

**NOTES:**

Material: Aluminum Alloy. 6061-T651  
 Finish: Chem-Film, MIL-DTL-5541F  
 Operating Temperature: -55°C to +85°C  
 Other connector configurations available



[www.preferredpowerproducts.com](http://www.preferredpowerproducts.com)

Tel: 1-772-291-2549 | [sales@preferredpowerproducts.net](mailto:sales@preferredpowerproducts.net)

STUART, FL 34997