

500 Watt 90° Coaxial Hybrid Coupler

Data Sheet



750-3000 MHz
HYBR-LINE™



Model: PH90-750-3000-R5N



Frequency:	750 - 3000 MHz
Amplitude Balance:	±0.35 dB Max.
Power:	500 Watts CW
Phase Balance:	± 5.0° Typical
Insertion Loss:	0.75 dB Max.
Isolation:	>15 dB
VSWR:	1.55:1 Max. All Ports
Connectors:	"N" Female All Ports

Specifications subject to change without notice

PH90 Series Hybrid couplers provide High Power dividing or combining while exhibiting excellent phase and amplitude balance over continuous broadband operation. Solid compact designs are able to operate in a wide variety of environments, which include Medical, Industrial, Commercial wireless, Military, and Space. The **P3** library of designs allows for modifications of standard designs to be made quickly and inexpensively to meet specific requirements with short delivery times. Please consult the factory for any special requirements or frequency.

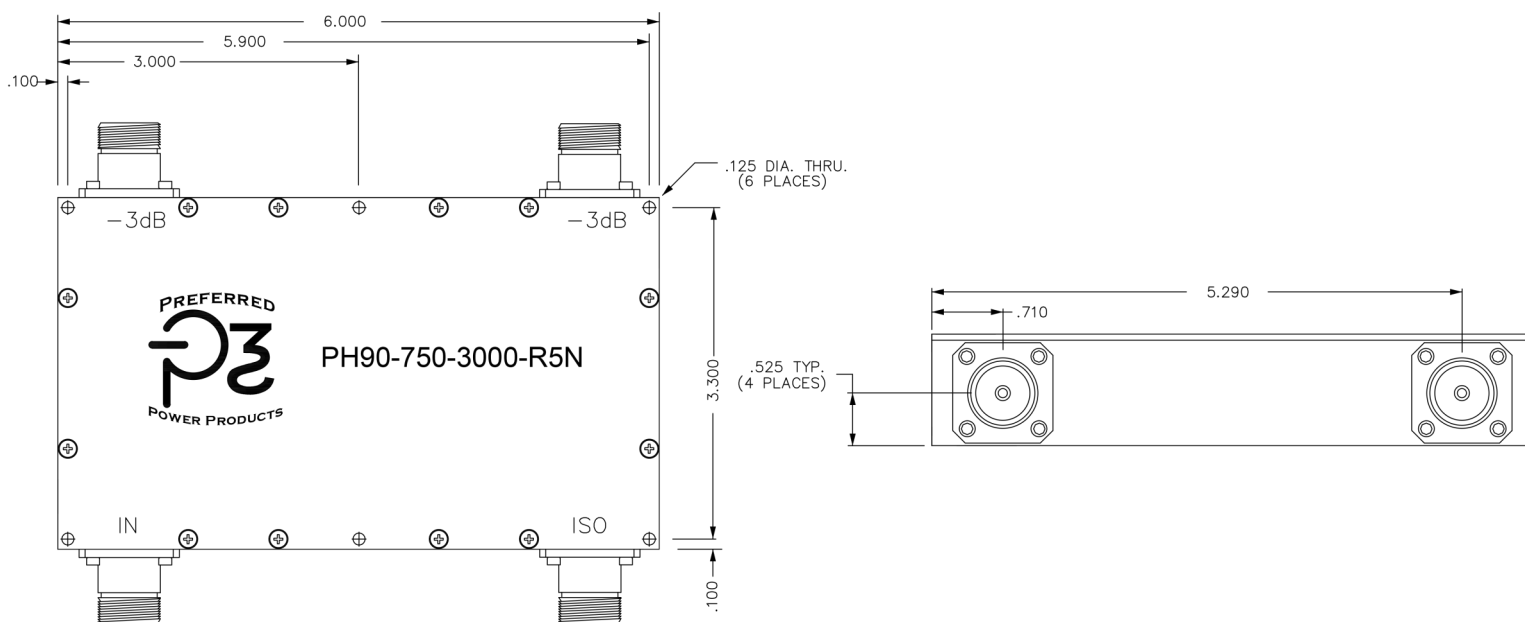
NOTES:

Material: Aluminum Alloy. 6061-T651

Finish: Cerakote H-57 Periwinkle Blue Semi-Gloss

Operating Temperature: -55°C to +75°C

Other connector configurations available



www.preferredpowerproducts.com

Tel: 1-772-291-2549 | sales@preferredpowerproducts.net

STUART, FL 34997