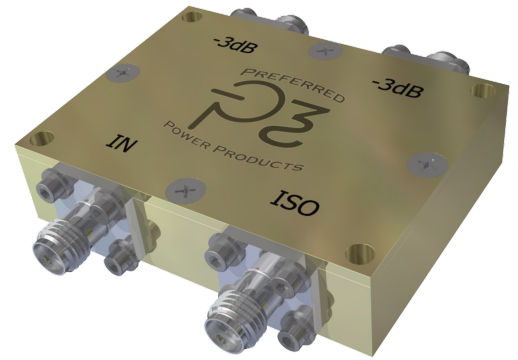


250 Watt 90° Coaxial Hybrid Coupler

Data Sheet



1400-2800 MHz
HYBR-LINE™



Model: PH90-1400-2800-R25S



Frequency:	1400 - 2800 MHz
Amplitude Balance:	±0.50 dB Max.
Power:	250 Watts CW
Phase Balance:	± 5.0° Typical
Insertion Loss:	0.25 dB Max.
Isolation:	20 dB Min.
VSWR:	1.25:1 Max. All Ports
Connectors:	"SMA" Female All Ports

Specifications subject to change without notice

PH90 Series Hybrid couplers provide High Power dividing or combining while exhibiting excellent phase and amplitude balance over continuous broadband operation. Solid compact designs are able to operate in a wide variety of environments, which include Medical, Industrial, Commercial wireless, Military, and Space. The **P3** library of designs allows for modifications of standard designs to be made quickly and inexpensively to meet specific requirements with short delivery times. Please consult the factory for any special requirements or frequency.

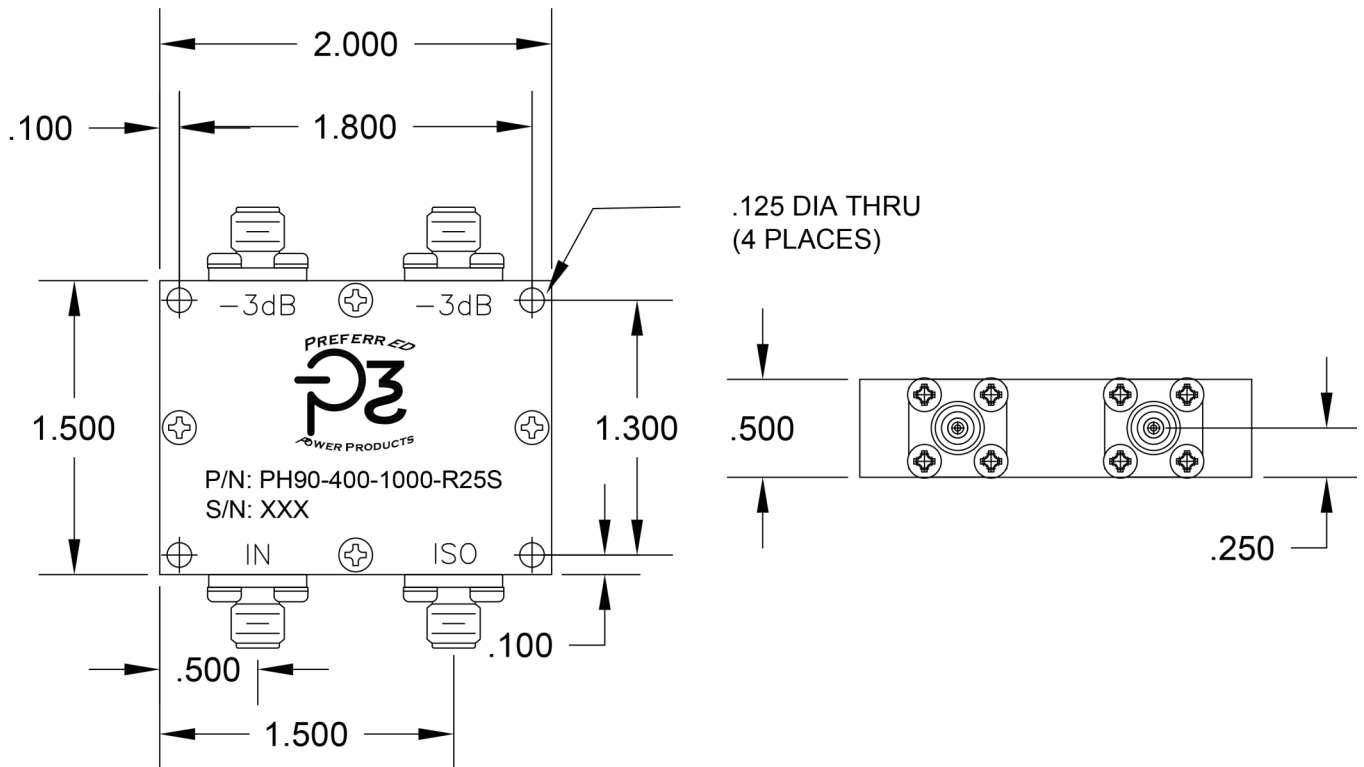
NOTES:

Material: Aluminum Alloy. 6061-T651

Finish: Paint (Blue)

Operating Temperature: -55°C to +85°C

Other connector configurations available



www.preferredpowerproducts.com

Tel: 1-772-291-2549 | sales@preferredpowerproducts.net

STUART, FL 34997