

# 16000 Watt 90° Coaxial Hybrid Coupler

Data Sheet



**1000-2000 MHz  
HYBR-LINE™**



**Model: PH90-1000-2000-1R6SC**



<b>Frequency:</b>	<b>1000 - 2000 MHz</b>
<b>Amplitude Balance:</b>	<b>±0.55 dB Max.</b>
<b>Power:</b>	<b>1600 Watts CW</b>
<b>Phase Balance:</b>	<b>± 5.0° Typical</b>
<b>Insertion Loss:</b>	<b>0.20 dB Max.</b>
<b>Isolation:</b>	<b>18 dB Min.</b>
<b>VSWR:</b>	<b>1.25:1 Max. All Ports</b>
<b>Connectors:</b>	<b>"SC" Female All Ports</b>

Specifications subject to change without notice

**PH90 Series** Hybrid couplers provide High Power dividing or combining while exhibiting excellent phase and amplitude balance over continuous broadband operation. Solid compact designs are able to operate in a wide variety of environments, which include Medical, Industrial, Commercial wireless, Military, and Space. The **P3** library of designs allows for modifications of standard designs to be made quickly and inexpensively to meet specific requirements with short delivery times. Please consult the factory for any special requirements or frequency.

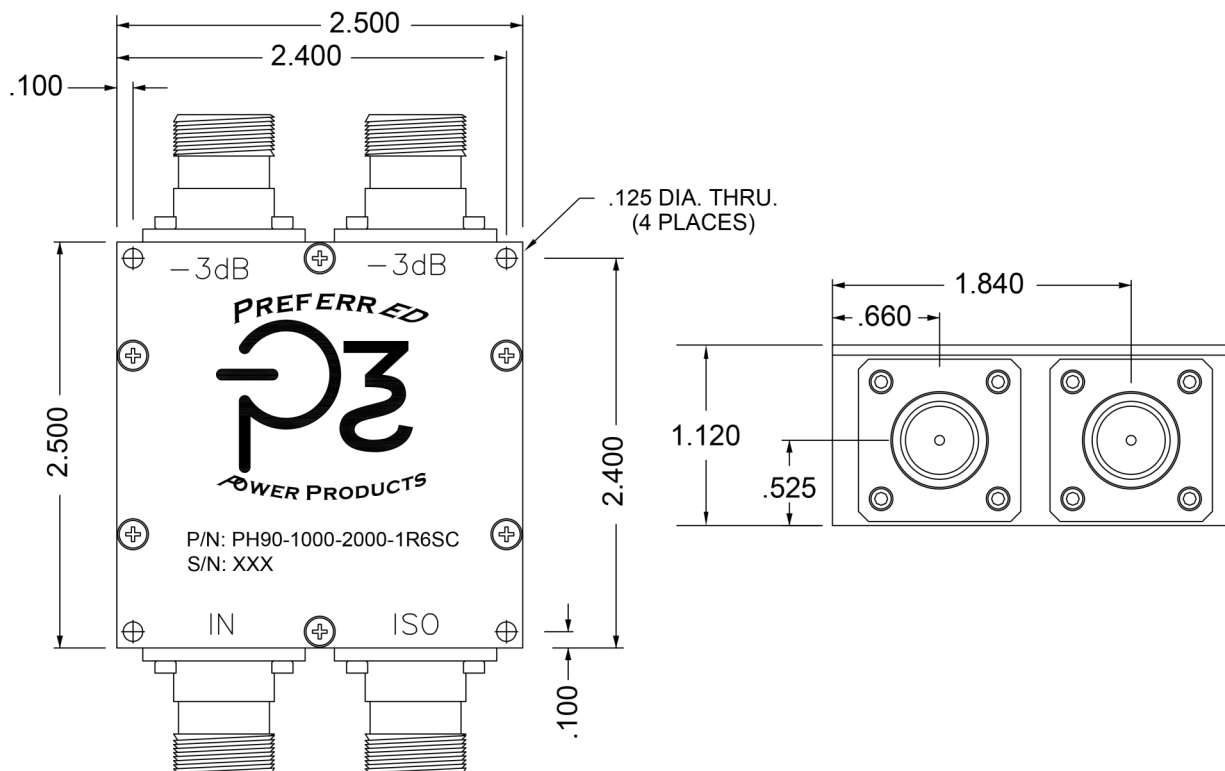
**NOTES:**

Material: Aluminum Alloy. 6061-T651

Finish: Chem-Film, MIL-DTL-5541F

Operating Temperature: -55°C to +85°C

Other connector configurations available



[www.preferredpowerproducts.com](http://www.preferredpowerproducts.com)

Tel: 1-772-291-2549 | [sales@preferredpowerproducts.net](mailto:sales@preferredpowerproducts.net)

STUART, FL 34997