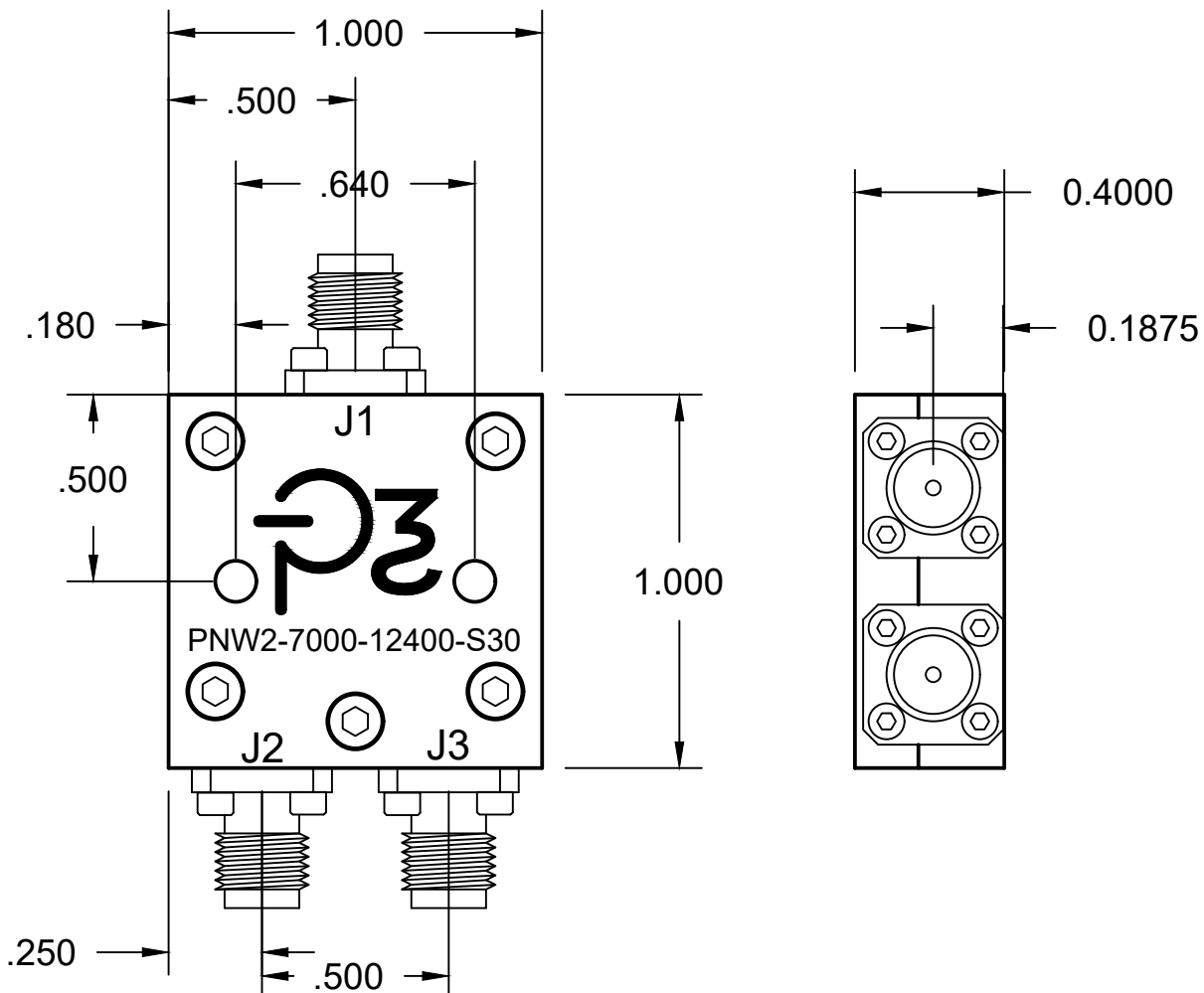


REV	RELEASE	DESCRIPTION	APPR	DATE
A	NEW	INITIAL RELEASE	PD	3/20/17



**SPECIFICATIONS:**

FREQUENCY:	7.5 - 12.4 GHz.
POWER:	30 WATTS
AMPLITUDE BALANCE:	0.2 dB MAX.
PHASE BALANCE:	±5° MAX.
ISOLATION:	20 dB TYP.
INSERTION LOSS:	0.5 dB MAX.
VSWR:	1.3:1 MAX.
OPERATING TEMP.:	-55° TO +85°C



**PREFERRED  
POWER PRODUCTS**  
PALM CITY, FLORIDA 34990

UNLESS OTHERWISE SPECIFIED  
ALL DIMENSIONS ARE IN INCHES

TOLERANCES:

DECIMALS	ANGULAR
.X ± .1	± .5°
.XX ± .01	
.XXX ± .005	

THIS DRAWING AND ALL CONTENTS  
HEREIN, ARE THE SOLE, PROPRIETARY  
PROPERTY OF PREFERRED POWER  
PRODUCTS, LLC AND MAY NOT BE USED,  
REPRODUCED OR DISCLOSED WITHOUT  
EXPRESSED WRITTEN CONSENT.

PART NO.

**PNW2-7000-12400-S30**

**POWER DIVIDER, 2-WAY**

**7.0 - 12.4 GHz**

**30 WATT**

CHECKED	PD	3/20/17	APPROVED	PD	3/20/17
DRAWN	PD	3/20/17	ENGINEER	PD	3/20/17
CAGE CODE	7W5T7	SCALE	1:1	SHEET	1 OF 1