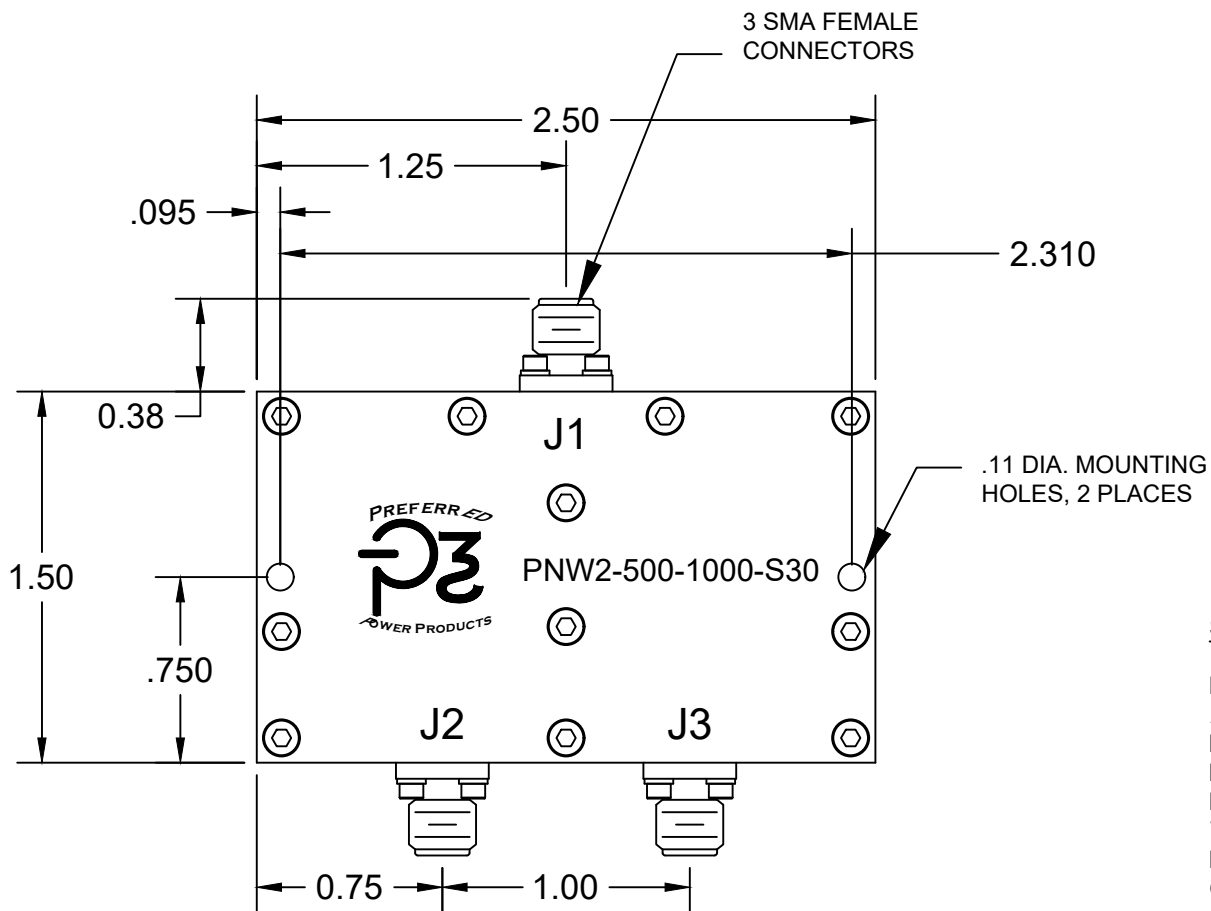
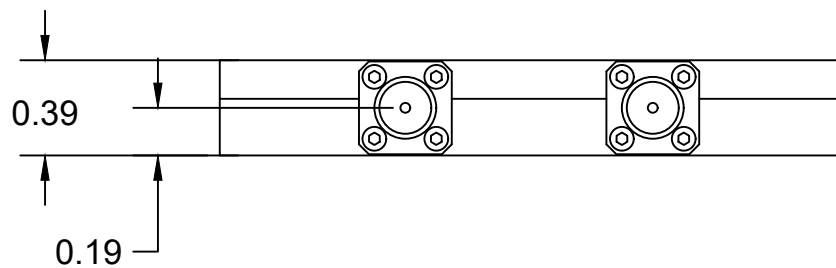



REV	RELEASE	DESCRIPTION	APPR	DATE
A	NEW	INITIAL RELEASE	PD	10/19/17



SPECIFICATIONS:

Frequency: 0.5 - 1.0 GHz.
 Amplitude Balance: ± 0.2 dB Max.
 Phase Balance: ± 2.0 Degrees
 Power: 30 Watts Max.
 Isolation: 20 dB Typ.
 VSWR: 1.2:1 Max.
 Insertion Loss: 0.2 dB
 Operating Temp.: -55° To $+85^\circ\text{C}$



 PREFERRED POWER PRODUCTS PALM CITY, FLORIDA 34990	UNLESS OTHERWISE SPECIFIED ALL DIMENSIONS ARE IN INCHES TOLERANCES: DECIMALS ANGULAR .X $\pm .1$ $\pm .5^\circ$.XX $\pm .01$.XXX $\pm .005$	PART NO. PNW2-500-1000-S30	
		DIVIDER, 2-WAY 0.5 - 1.0 GHz. 30 WATT	
	CHECKED PD 10/19/17	APPROVED PD 10/19/17	
	DRAWN PD 10/19/17	ENGINEER PD 10/19/17	
	CAGE CODE 7W5T7	SCALE 1:1	SHEET 1 OF 1