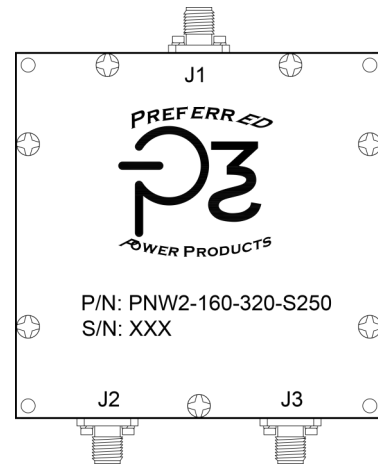


# 2-Way 250 Watt Power Divider/Combiner

Data Sheet



Model: PNW2-160-320-S250



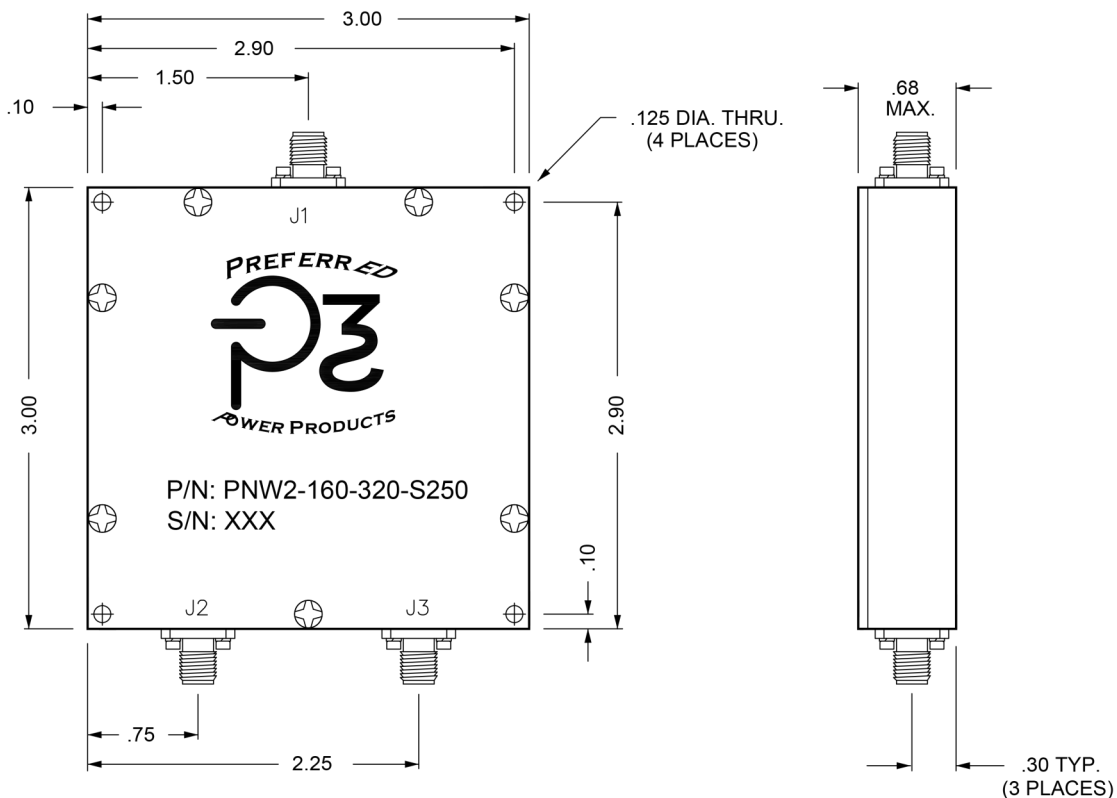
<b>Frequency:</b>	<b>160 - 320 MHz</b>
<b>Power:</b>	<b>250 Watts CW</b>
<b>Amplitude Balance:</b>	<b>0.20 dB Max.</b>
<b>Phase Balance:</b>	<b>± 3° Max.</b>
<b>Insertion Loss:</b>	<b>0.40dB Max.</b>
<b>Isolation:</b>	<b>&gt;20 dB</b>
<b>VSWR:</b>	<b>1.20:1 Max.</b>
<b>Connectors:</b>	<b>"SMA" Female All Ports</b>

PNW Series Dividers/Combiners provide High Power dividing/combining up to 800 watts CW. With internal high power matched isolation resistors and continuous full band operation, PNW dividers/combiners provide excellent performance and reliability. The compact designs operate in a variety of environments which include Medical, Industrial, Commercial wireless, Military, and Space.

**NOTES:**

Material: Aluminum Alloy, 6061-T651  
Finish: Blue Paint  
Operating Temperature: -55°C to +85°C  
Other connector configurations available

Specifications subject to change without notice



[www.preferredpowerproducts.net](http://www.preferredpowerproducts.net)

Tel: 1-772-485-9786 | [sales@preferredpowerproducts.net](mailto:sales@preferredpowerproducts.net)

Palm City, FL 34990