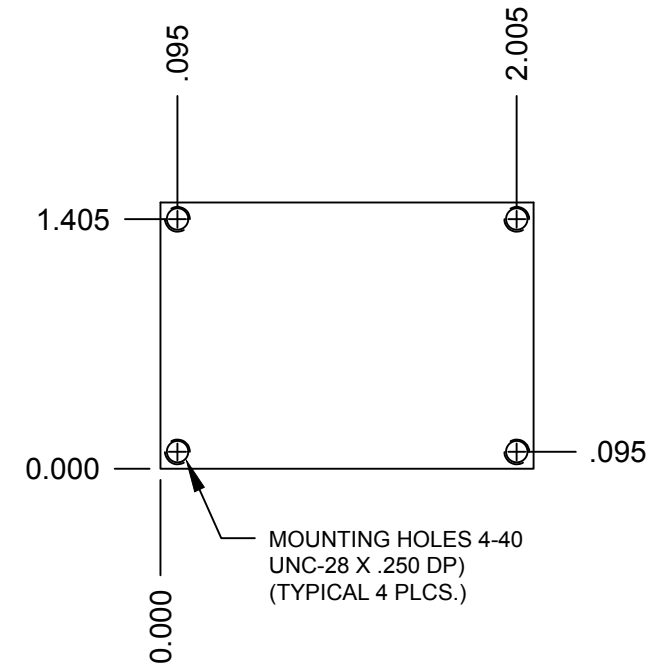
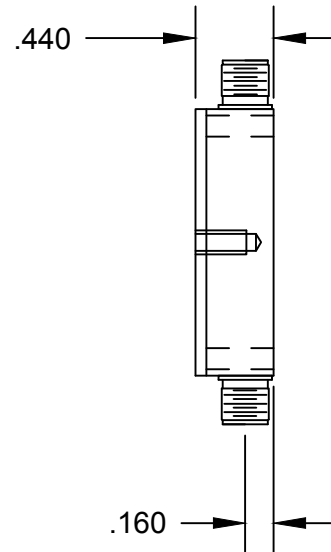
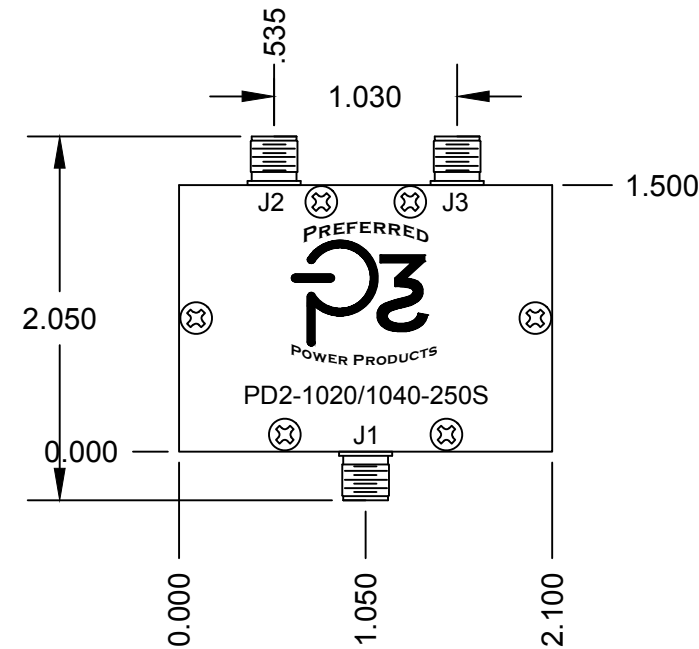



REV	RELEASE	DESCRIPTION	APPR	DATE
A	New	Initial Release	PD	11/16/15



**SPECIFICATION:**

Frequency.....	1030 ±10 MHz.
Power.....	250 Watts CW (SEE NOTE)
Insertion Loss.....	<0.25 dB
Amplitude Balance.....	0.1 dB
Phase Balance.....	±4.0° Max.
Isolation.....	>20 dB
VSWR.....	<1.25 All Ports
Connectors.....	SMA Female All Ports
Material.....	Aluminum Alloy, 6061T651
Finish.....	Electro-Nickel Plate QQ-N-290 (Semi-Bright)

**\*\*NOTE\*\***  
 POWER HANDLING IS 250 WATTS AVERAGE  
 8,000 WATTS WITH 2% DUTY CYCLE  
 UNIT MUST WITHSTAND 4,000 WATTS APPLIED TO ONE INPUT PORT WITH THE  
 REMAINING INPUT PORT  
 HAVING 0 WATTS APPLIED UNDER ANY LOAD CONDITION FROM OPEN TO  
 SHORT.

 <b>PREFERRED          POWER PRODUCTS</b> PALM CITY, FLORIDA 34990	UNLESS OTHERWISE SPECIFIED ALL DIMENSIONS ARE IN INCHES  <b>TOLERANCES:</b>  <table> <tr> <td>DECIMALS</td> <td>ANGULAR</td> </tr> <tr> <td>.X ± .1</td> <td>± .5°</td> </tr> <tr> <td>.XX ± .01</td> <td></td> </tr> <tr> <td>.XXX ± .005</td> <td></td> </tr> </table>	DECIMALS	ANGULAR	.X ± .1	± .5°	.XX ± .01		.XXX ± .005		PART NO. <b>PNW2-1020/1040-250S</b>	
		DECIMALS	ANGULAR								
.X ± .1	± .5°										
.XX ± .01											
.XXX ± .005											
2-Way Power Divider/Combiner 1030 MHz. 250 Watts AVERAGE, 8 KW PULSE 2%		CHECKED PD 11/16/15	APPROVED PD 11/16/15								
THIS DRAWING AND ALL CONTENTS HEREIN, ARE THE SOLE, PROPRIETARY PROPERTY OF PREFERRED POWER PRODUCTS AND MAY NOT BE USED, REPRODUCED OR DISCLOSED WITHOUT EXPRESSED WRITTEN CONSENT.		DRAWN PD 11/16/15	ENGINEER PD 11/16/15								
CAGE CODE <b>7W5T7</b>		SCALE <b>1:1</b>	SHEET <b>1</b> OF <b>1</b>								